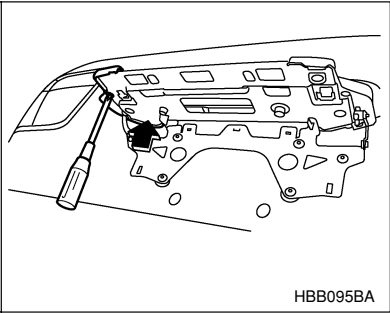
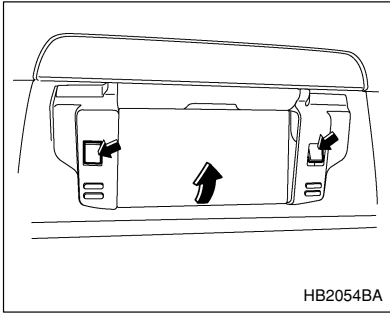
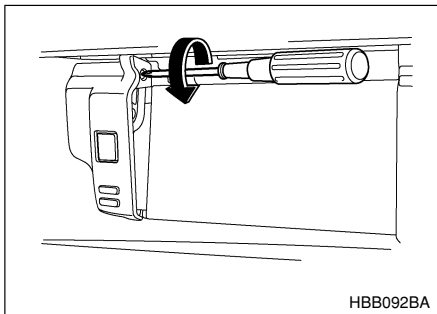


## ■ License plate light



1. Remove the upper cover located above the license plate.
2. Push two release buttons and pull the license plate bracket up until it clicks.
3. Remove the two cover installation screws.
4. Push the license plate bracket back to the original position.



5. Remove the screw from the side of the cover.
6. Remove the cover.